

# InnoPod Mute

Design by Nørgaard Design

FACT SHEET / TECHNICAL & ENVIRONMENTAL SPECIFICATION



# InnoPod Mute

Design by Nørgaard Design

## Product options

### FEATURES

Adjustable feet / castors to allow for relocation

Integrated ventilation:  
Integrated ventilation system delivers 29 litres of fresh air per second, replacing the air inside for a comfortable working environment.

14w USB A & C Power  
+ Main power socket

LED lighting

Two table heights 74 cm or 105 cm.

PIR (passive infra-red) entry detection

Class B (26 dB)  
Acoustic Certification  
(BS ISO 23351-1:2020)

Black laminate plinth – designed for easy cleaning and durability.

Easily assembled in 6 parts

### FRAME COLOUR

● Matt Black  
RAL 7021

### PLINTH COLOUR

● Black Arpa Fenix  
0720

### TABLE TOP FINISHES

● Black Laminate  
U999

### UPHOLSTERY

Available in a range of fabrics:

6 week lead-time:

Inside fabric:  
Camira Blazer lite

Outside fabric: Band 1,  
Band 2, Band 3  
– Limited Fabrics.

2 week lead-time:

Inside fabric:  
Camira Blazer lite  
(Pending Fabric Availability)

Outside fabric: Camira  
Blazer lite (Pending Fabric  
Availability)

Please see the fabric  
overview [Here](#) ↗  
or contact sales for more  
information.



InnoPod Mute, an evolution of our InnoPod system, has been designed for those moments when you need to escape the noise and focus on the task at hand. Whether it's for deep work, confidential meetings, or simply a moment of peace, InnoPod Mute creates a sanctuary of quiet, free from distractions, within any busy environment. With its sleek design and thoughtful features, it's perfect for individuals who need their own private, peaceful space.

## Technical specifications

### WEIGHT

InnoPod Mute:  
202,1 kg.

### DIMENSIONS

H220 x W130 x D92 cm

### CUBIC METERS

1,99 m<sup>3</sup>

### CERTIFICATION

Class B acoustic certification:  
Meets BS ISO 23351-1:2020 standards with 26 dB of sound reduction, providing an escape from noisy surroundings.

### WARRANTY

5-year extended warranty.



### IMPORTANT NOTICE

To avoid voiding the warranty, please refer to this [DISCLAIMER FOR MORE INFORMATION](#) ↗

## Materials

### CONSTRUCTION

Plywood, Solid pine-HDF-cardboard

### TABLETOP

Chip board 19mm,  
Laminate, abs edge

### BASE

Plywood, Black Arpa Fenix 0720

### CARPET

Grey, Supercord, 80% polypropylene

### DOOR

10.8mm. Consist of 2x5mm toughend laminated glass

### CASTORS

4x black plastic castor.  
Steel plate

### HEIGHT ADJUSTABLE FEET

5x M10x100 mm

### BRACKETS FOR TABLE, WALL

Steel 235

### BRACKETES FOR TABLETOP

Black ABS

### FOAM

DB50H

### ACOUSTIC BARRIER

Polymeric sound barrier

### LED LIGHT

12V, 3000k, Monochrome

### SENSOR FOR LIGHT

30min. delay

### VENTILATION

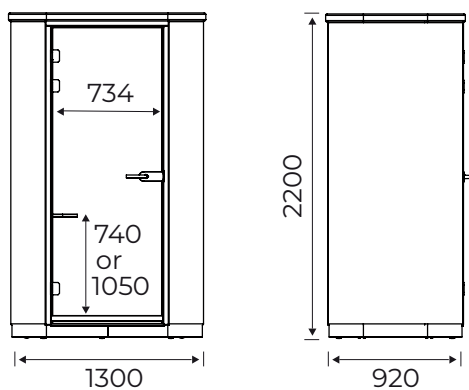
2x 120mm 12V fan, 1200 Rpm

### POWER UNITS

Evoline one 230V - black and Häfele USB A&C 12V - 14W black

## Dimensions

InnoPod Mute



## Environmental data

Product environmental data can assist you in meeting the requirements for LEED, BREEAM, WELL, and SKA building certifications.

### INNOPOD MUTE\*



#### RECYCLED CONTENT

8%

#### RECYCLABILITY

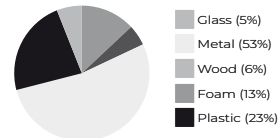
100%

#### CARBON FOOTPRINT

1260

Kg CO<sub>2</sub>e per unit

#### MATERIAL BREAKDOWN



\*Please note that electricity is not included.



#### CARBON FOOTPRINT

The carbon footprint (CO<sub>2</sub>e) covers the full product life cycle, cradle-to-grave. Calculations follow the Product Environmental Footprint (PEF) methodology.



#### DISCLAIMER

Please note: These calculations use MÅLBAR's tool and depend on available input data. Where data is missing, conservative estimates are applied. For our full disclaimer, [click here](#).

## Quality and environment

At Ocee & Four Design, we care about sustainability. We strive to reduce our impact by producing quality furniture in a sustainable manner. Find out more about our journey on [Oceeandfour.com](https://oceeandfour.com).

#### COMPANY CERTIFICATIONS

ISO 9001  
ISO 14001  
Forest Stewardship Council® (FSC®) Chain of Custody (License Code: FSC-C161956)  
FISP Full Membership

#### WARRANTY

We stand behind the quality and durability of our products. That's why we are

pleased to offer a warranty of 5, 10, or 25 years, depending on the specific product.

These warranty's cover breakage and damage of products occurring because of deficient craftsmanship performance under normal use. The warranty shall lapse if the product shows signs of mishandling abuse or other physical damage. The warranty does not cover those parts of the product which are exposed to abrasion during use.

For full details on the warranty period applicable to your product, along with terms and conditions, please

refer to our extended [Warranty brochure](#).

#### INSTRUCTIONS

Assembly instructions can be found at our website.

#### MAINTENANCE

Refer to our [Maintenance Guide](#).

#### DISASSEMBLY & RECYCLING

Products should be disassembled and separated into their components and materials before recycling. Most products can be disassembled using hand tools. Metal parts are commonly recycled. Powder coated frames are treated with a

paint classified as not dangerous according to directive 1999/45/EF. Wood can either be recycled or incinerated. Plastic shells can be recycled. Upholstery and veneer shells are not recyclable but can be disposed of through incineration. Processes for recycling vary so check with your waste management organisation.

#### TAKE BACK SCHEME

Extend the life of your furniture! If you're in the UK, explore our [Take Back Scheme](#) to dispose of your used items in a sustainable way.