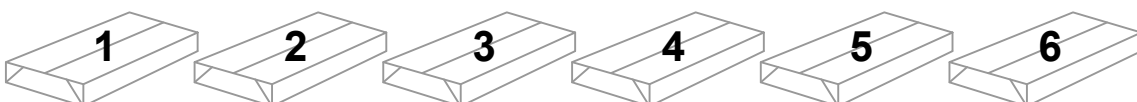
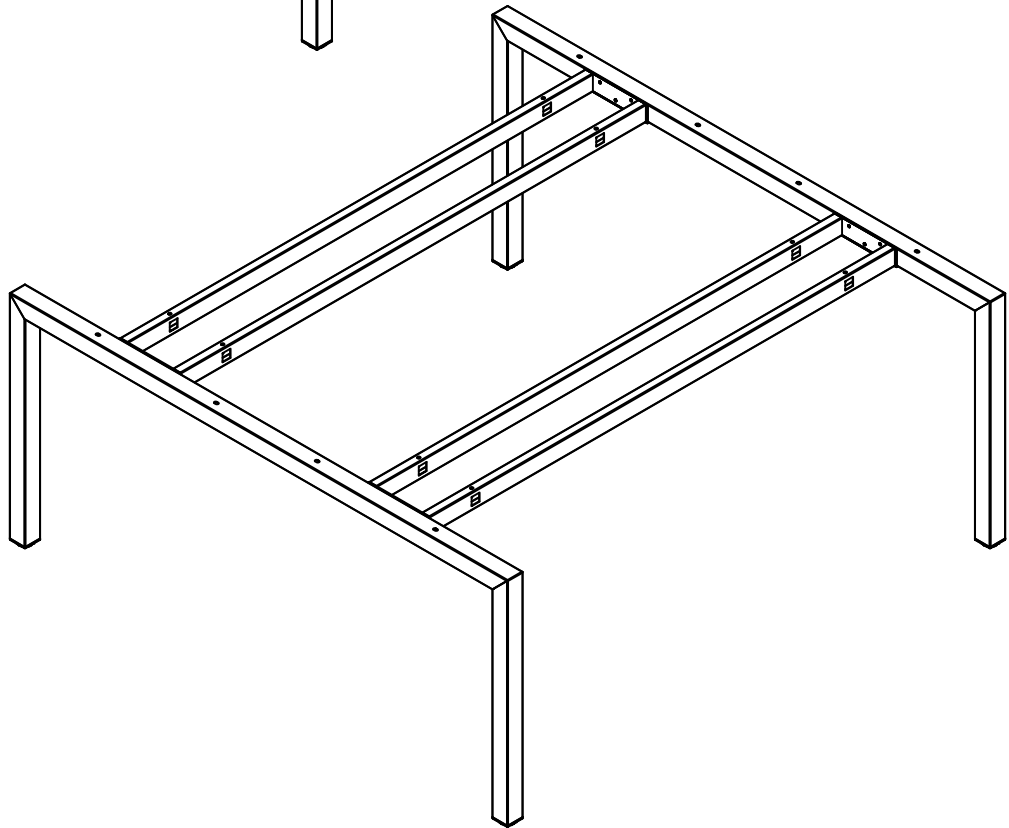
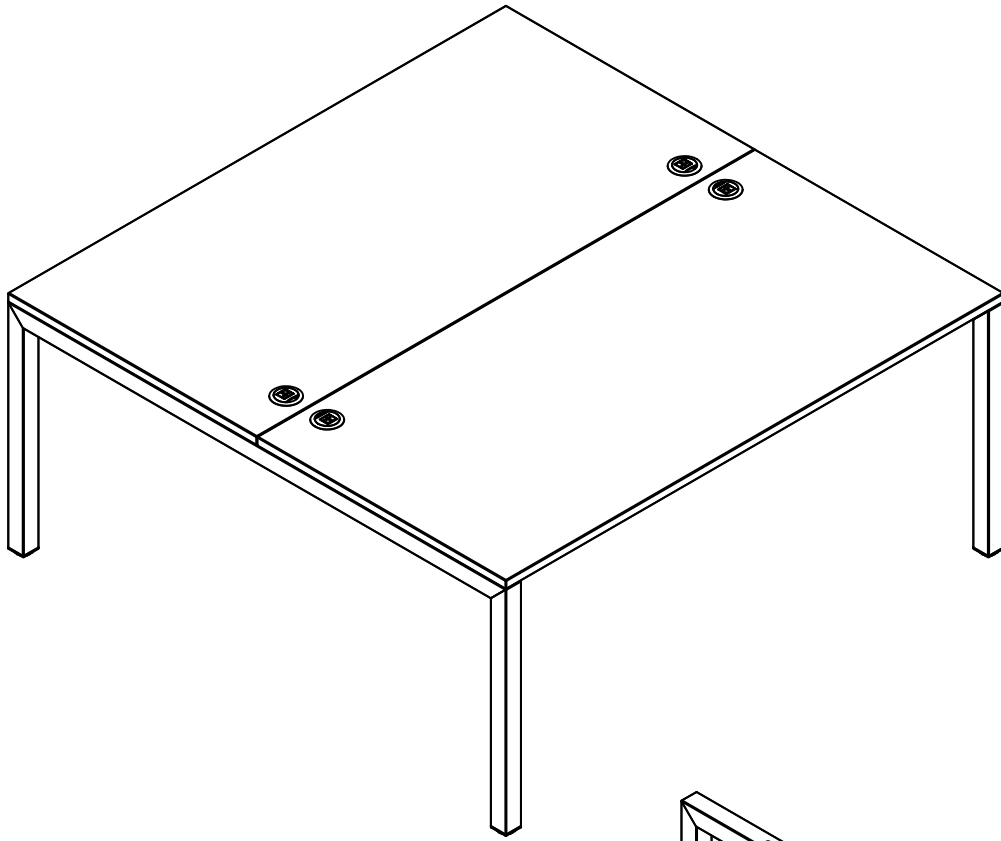
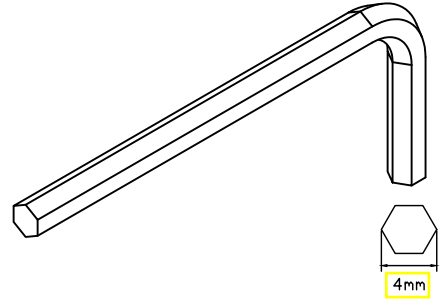
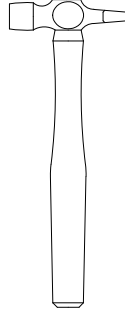
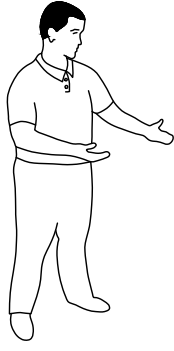


COU1600OL

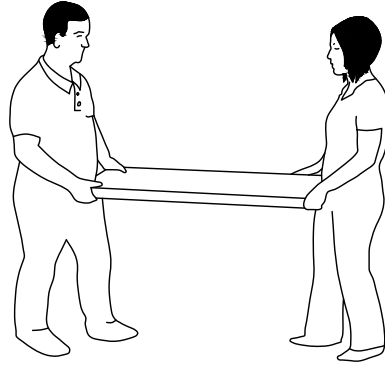
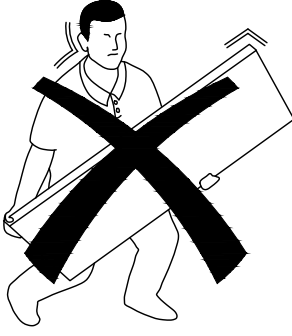
Connex 1600mm Outer Leg Frame



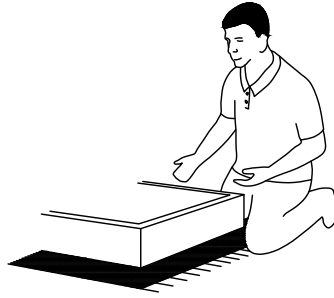
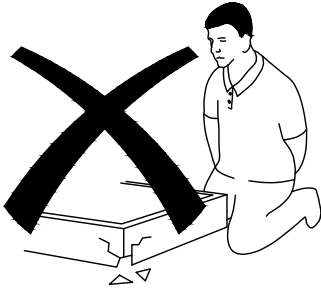
**TOOLS REQUIRED
FOR ASSEMBLY**



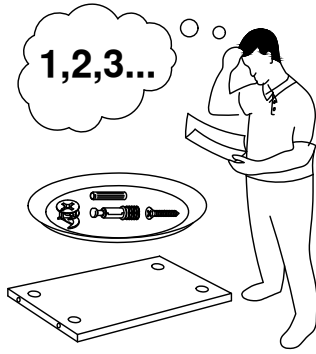
**DONT STRUGGLE
2 MAN LIFT**



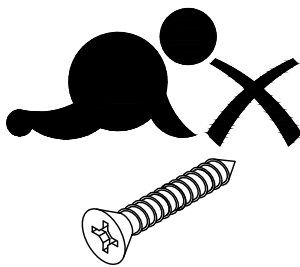
**ALWAYS HANDLE
ITEMS WITH CARE**



**IF UNSURE CALL
FOR ASSISTANCE**

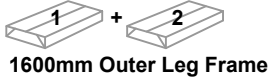


**KEEP FITTINGS AWAY
FROM CHILDREN**

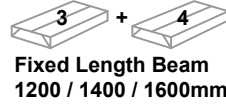
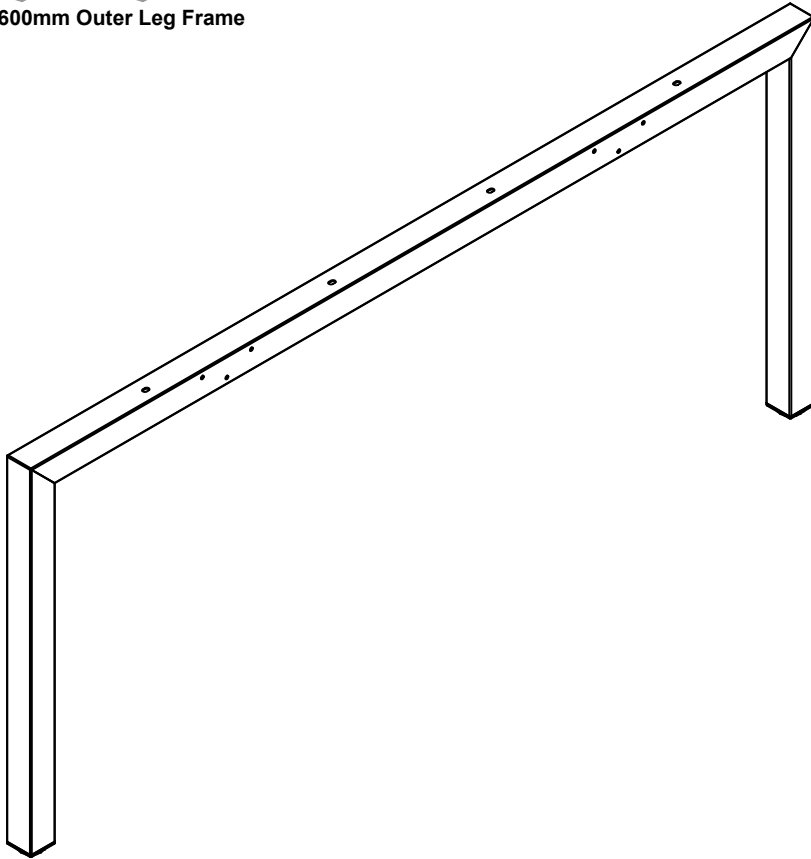




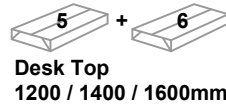
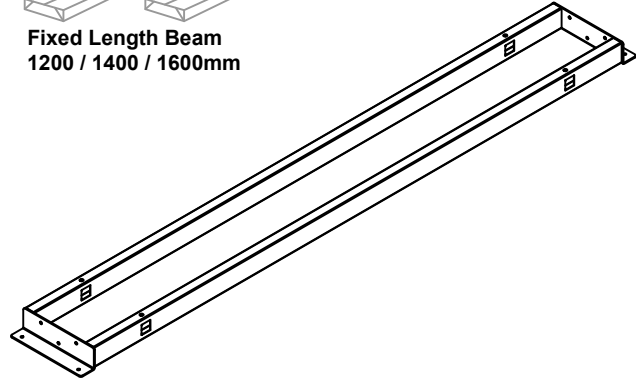
Please check that you have all the Components!



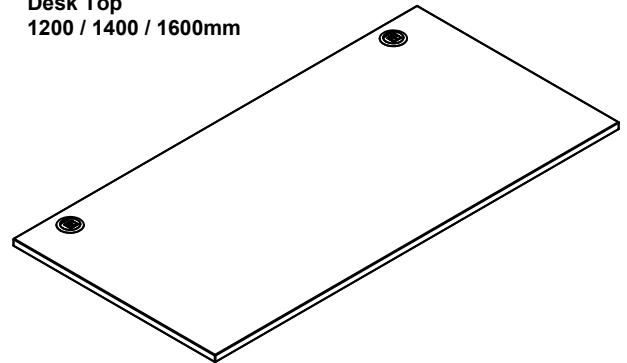
1600mm Outer Leg Frame



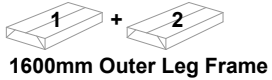
Fixed Length Beam
1200 / 1400 / 1600mm



Desk Top
1200 / 1400 / 1600mm



Please check that you have all the Fittings! (Fittings supplied with leg frames)

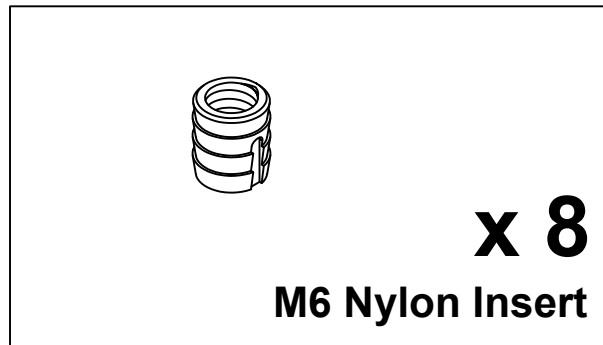


1600mm Outer Leg Frame



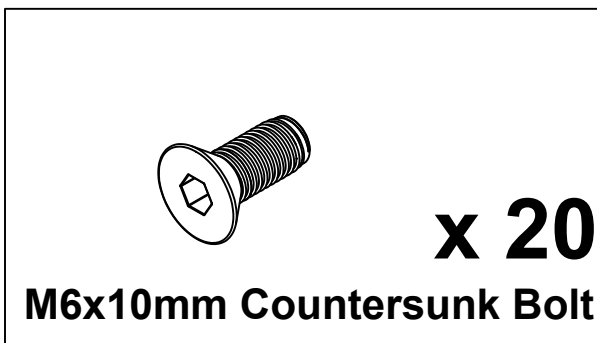
x 8

M6x60mm Connect Bolt



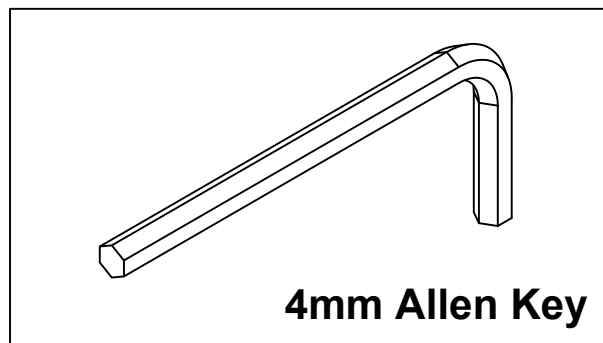
x 8

M6 Nylon Insert



x 20

M6x10mm Countersunk Bolt



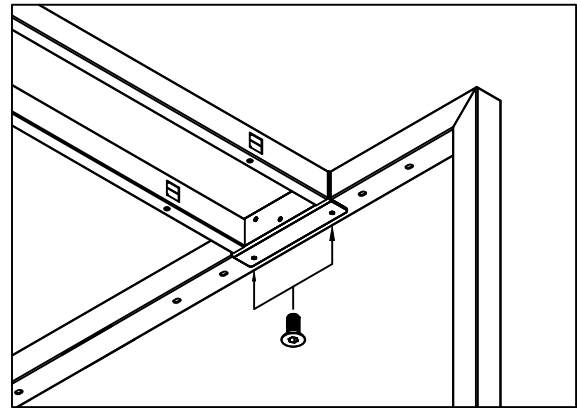
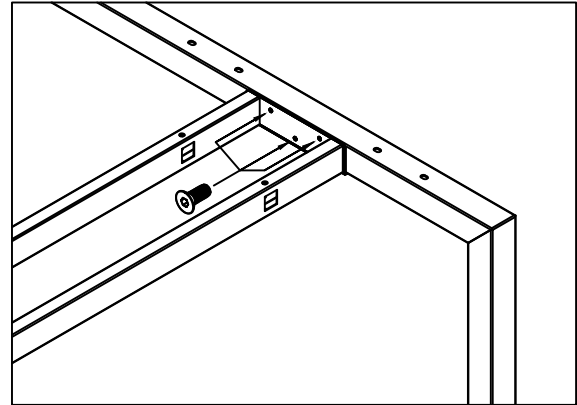
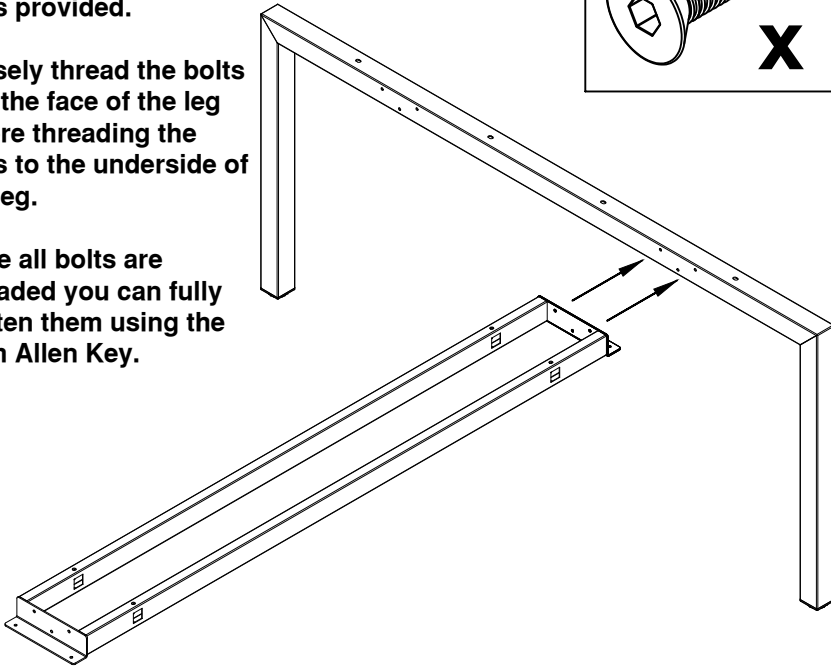
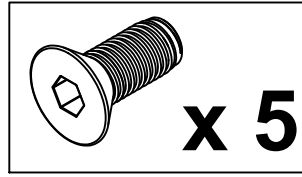
4mm Allen Key

1

Step 1
Attach the first beam to the end leg using the M6 bolts provided.

Loosely thread the bolts into the face of the leg before threading the bolts to the underside of the leg.

Once all bolts are threaded you can fully tighten them using the 4mm Allen Key.

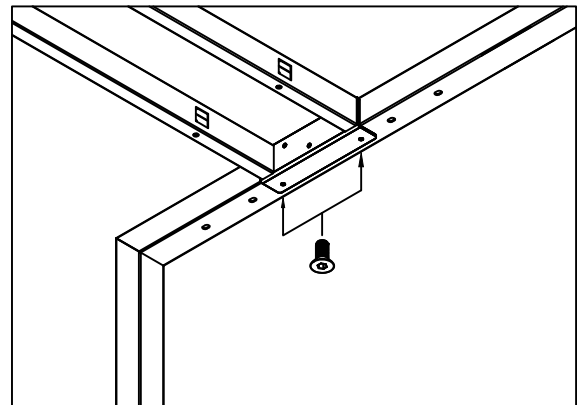
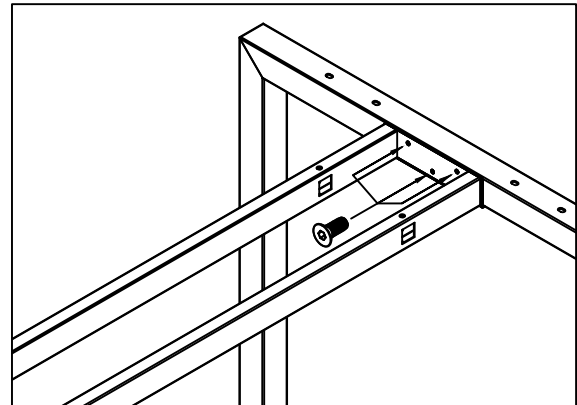
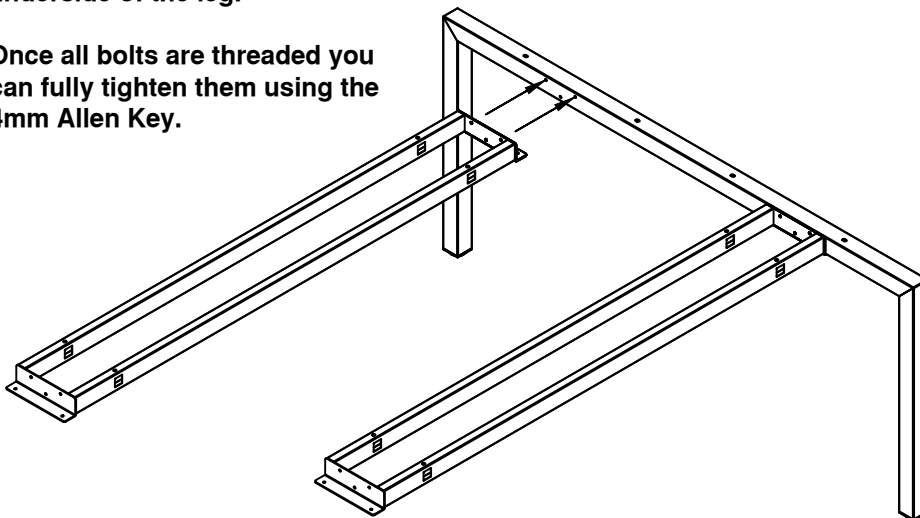
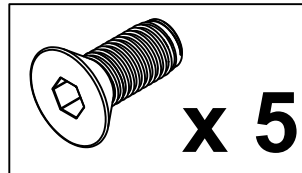


2

Step 2
Attach the second beam to the end leg using the M6 bolts provided.

Loosely thread the bolts into the face of the leg before threading the bolts to the underside of the leg.

Once all bolts are threaded you can fully tighten them using the 4mm Allen Key.





If you are assembling this as part of a larger configuration please refer to the intermediate leg frame assembly instructions before proceeding with the next steps.

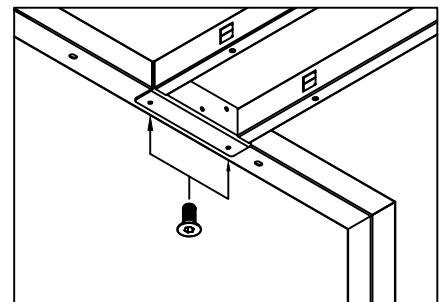
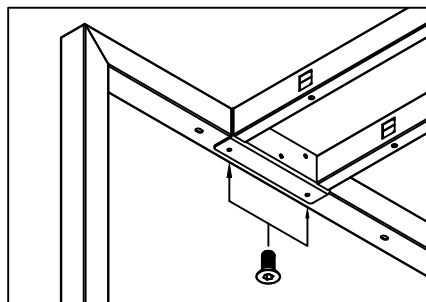
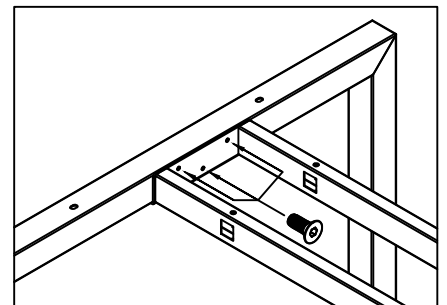
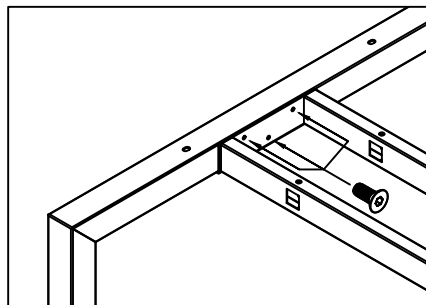
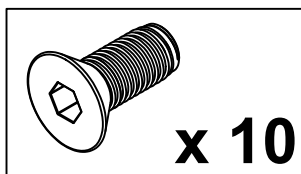
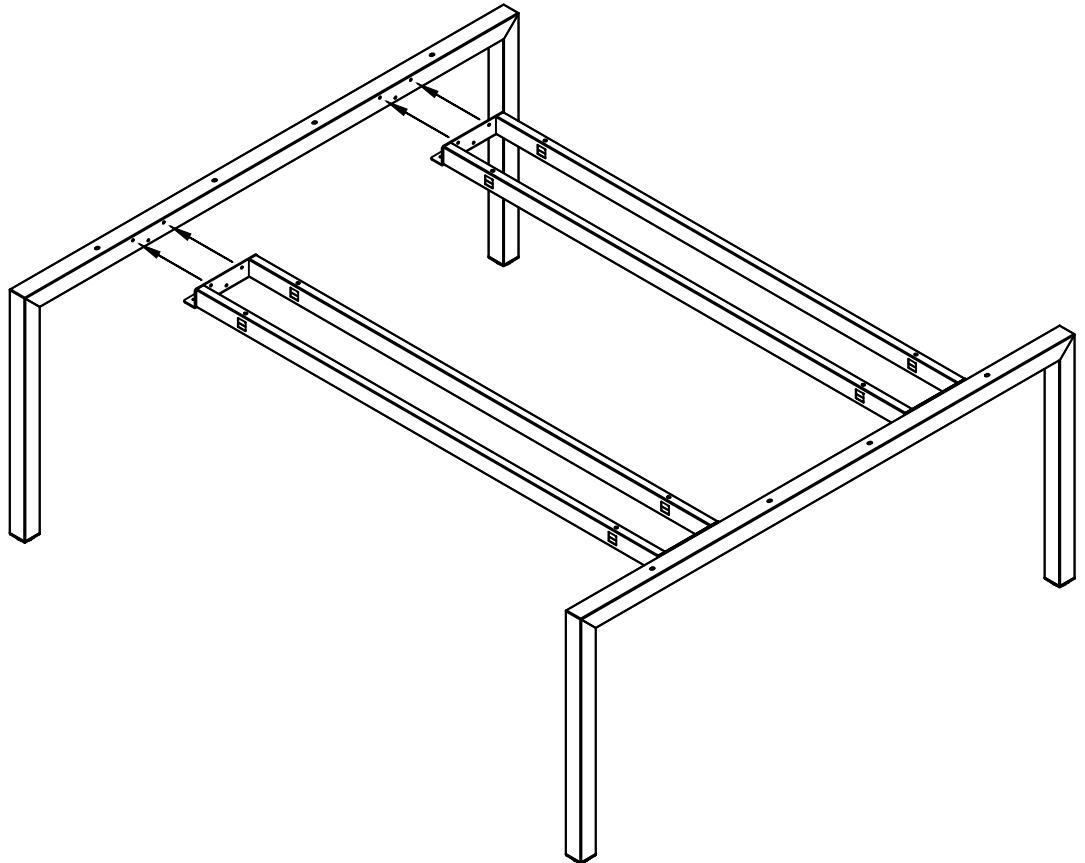
3

Step 3
Attach the remaining outer leg frame using the same method as before.

Attach the beams to the end leg using the M6 bolts provided.

Loosely thread the bolts into the face of the leg before threading the bolts to the underside of the leg.

Once all bolts are threaded you can fully tighten them using the 4mm Allen Key.





If horizontal cable management is being added please refer to the drop down cable tray assembly instruction before proceeding with the next steps.

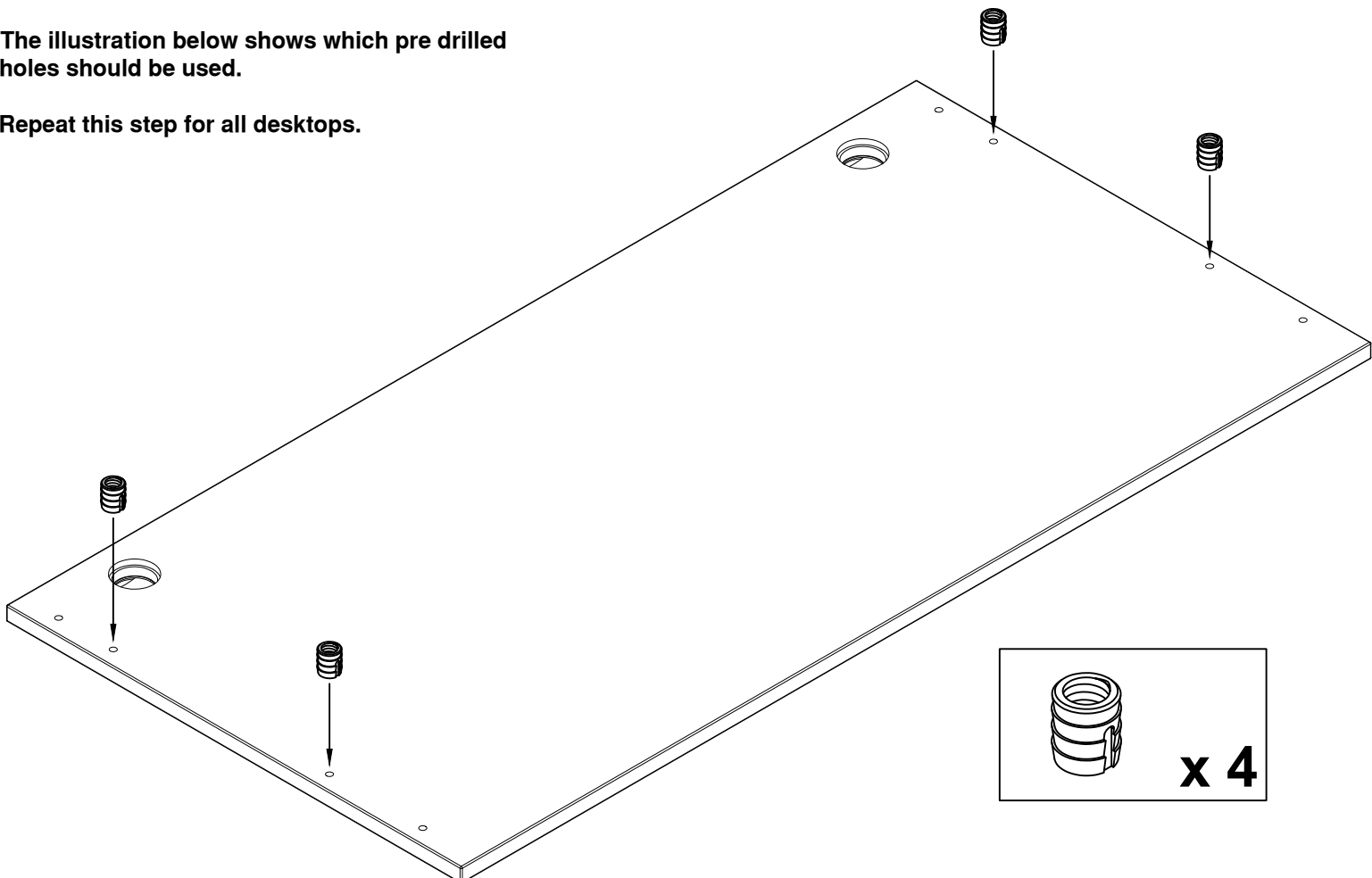
This will make the installation process much easier then trying to install the cable trays once the desktops are attached.

4

Step 4
Insert the nylon inserts into the pre drilled holes on the underside of the desktop.

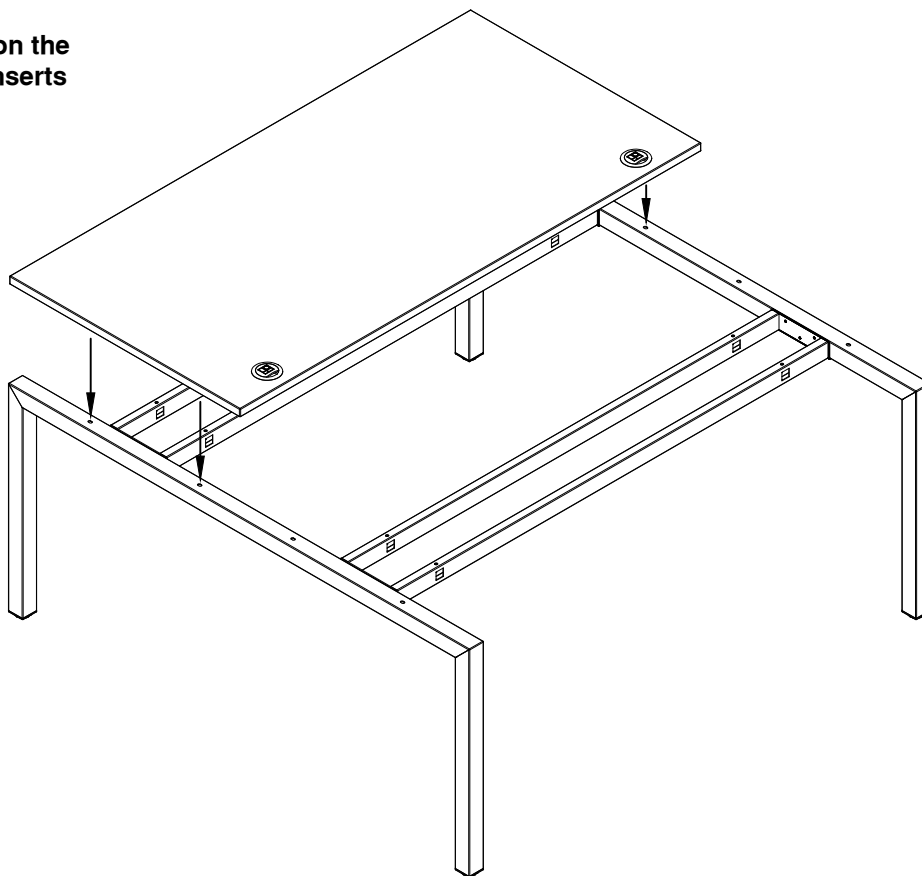
The illustration below shows which pre drilled holes should be used.

Repeat this step for all desktops.



5

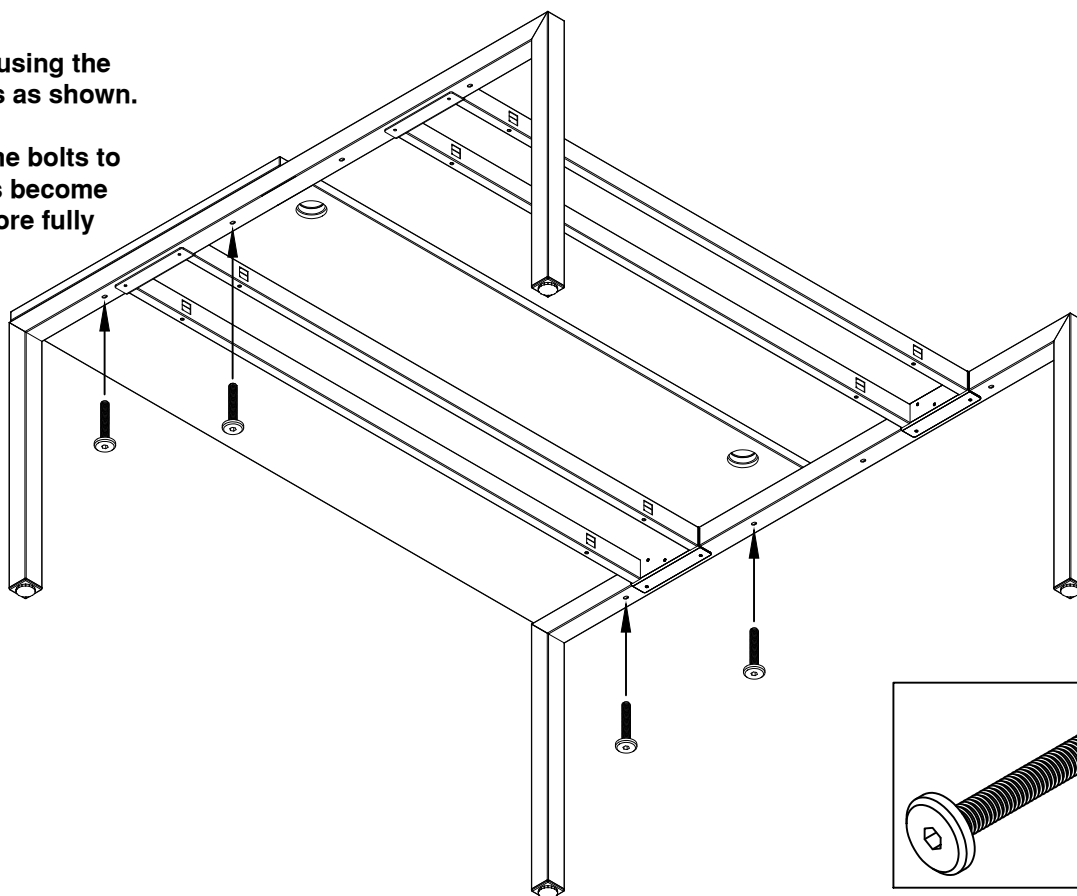
Step 5
Position the first desktop on the frame aligning the nylon inserts with the slotted holes .



6

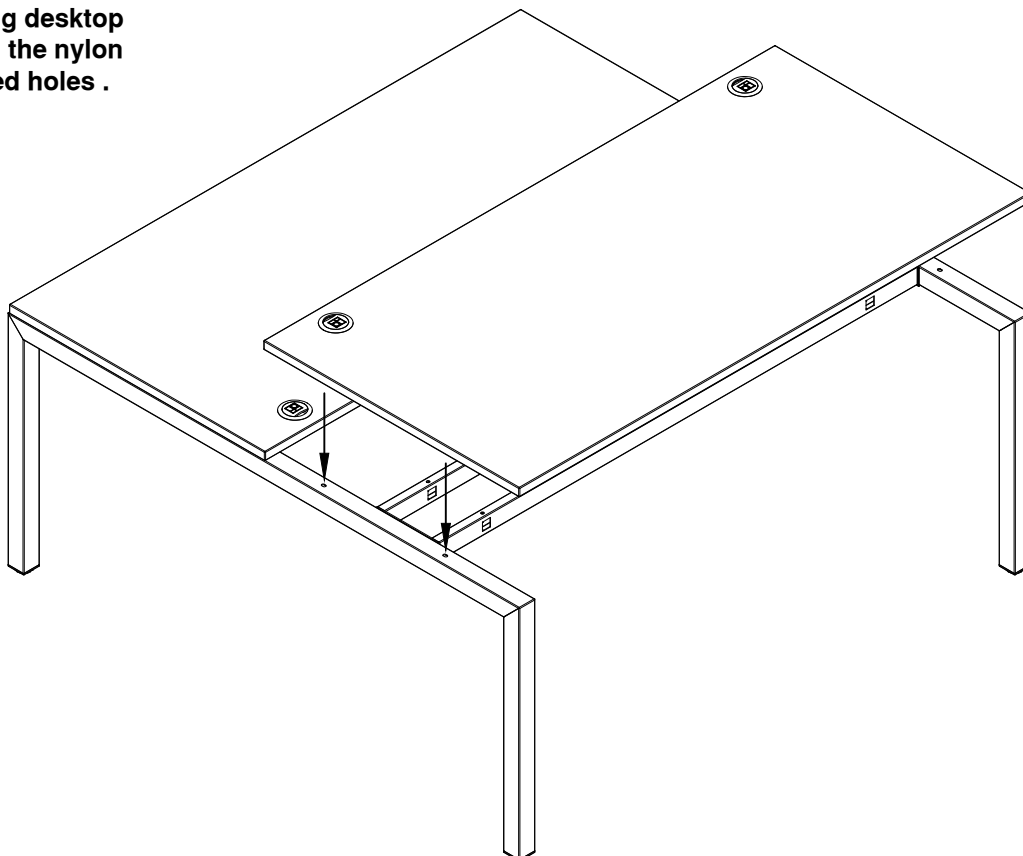
Step 6
Attach the desktop using the 60mm connect bolts as shown.

Loosely thread all the bolts to ensure that no bolts become cross threaded before fully tightening.



7

Step 7
Position the remaining desktop
on the frame aligning the nylon
inserts with the slotted holes .



8

Step 8
Attach the desktop using the
60mm connect bolts as shown.

Loosely thread all the bolts to
ensure that no bolts become
cross threaded before fully
tightening.

