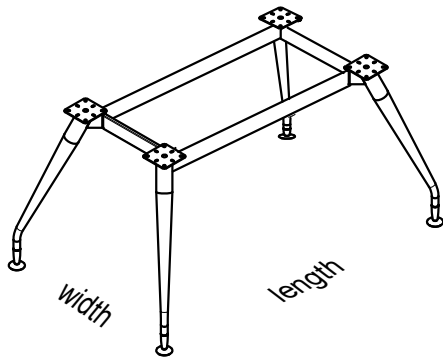
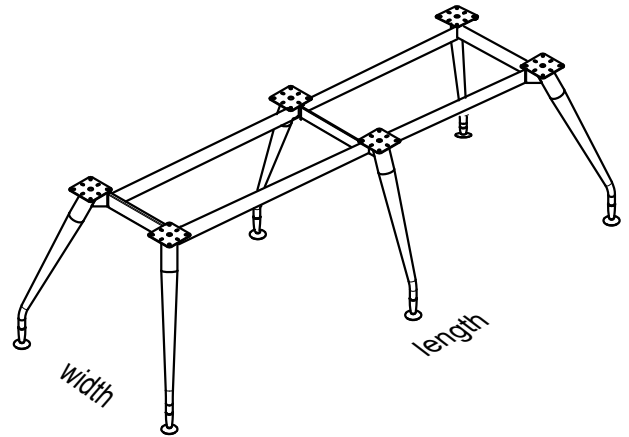


CAPRI Table Frame Sizing

Square or Rectangular Frames



Rectangular Frames with Intermediate Legs



Length and Width Combinations

All Frames 695mm high

End legs only	Frame Length		Frame Width									
	1 pair Inter Legs	2 Pairs Inter Legs	600 ⁽¹⁾	800	900	1000	1200	1400	1600	1800	2000	2400
600 ⁽¹⁾			✓	✓	✓	✓	✓	✓	✓			
800			✓	✓	✓	✓	✓	✓	✓	✓	✓	✓
900			✓	✓	✓	✓	✓	✓	✓	✓	✓	✓
1000			✓	✓	✓	✓	✓	✓	✓	✓	✓	✓
1200			✓	✓	✓	✓	✓	✓	✓	✓	✓	✓
1400			✓	✓	✓	✓	✓	✓	✓	✓	✓	✓
1600			✓	✓	✓	✓	✓	✓	✓	✓	✓	✓
1800			✓	✓	✓	✓	✓	✓	✓	✓	✓	✓
2000				✓	✓	✓	✓	✓	✓	✓	✓	✓
2200				✓	✓	✓	✓	✓	✓	✓	✓	✓
2400	2400			✓	✓	✓	✓	✓	✓	✓	✓	✓
	2800			✓	✓	✓	✓	✓	✓	✓	✓	✓
	3200			✓	✓	✓	✓	✓	✓	✓	✓	✓
	3600	3600		✓	✓	✓	✓	✓	✓	✓	✓	✓
	4000			✓	✓	✓	✓	✓	✓	✓	✓	✓
	4400	4200		✓	✓	✓	✓	✓	✓	✓	✓	✓
		4800		✓	✓	✓	✓	✓	✓	✓	✓	✓
	5400			✓	✓	✓	✓	✓	✓	✓	✓	✓
	6000			✓	✓	✓	✓	✓	✓	✓	✓	✓
 (2)			✓	✓	✓	✓	✓	✓	✓	✓	✓

Notes:

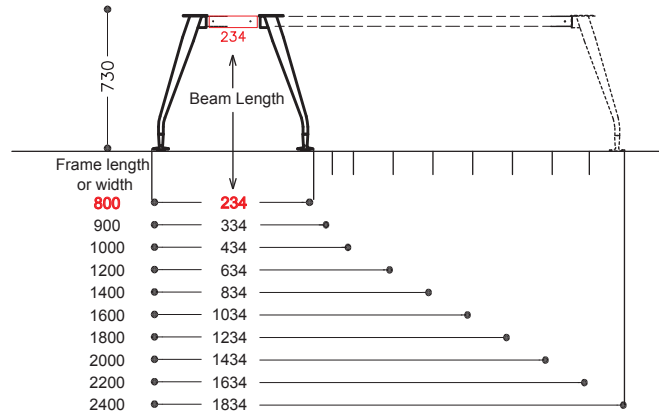
1 No beams between legs for 600mm spacing

2 Longer lengths can be achieved by adding additional pairs of intermediate legs and beams. Contact Stebul Furniture for further details

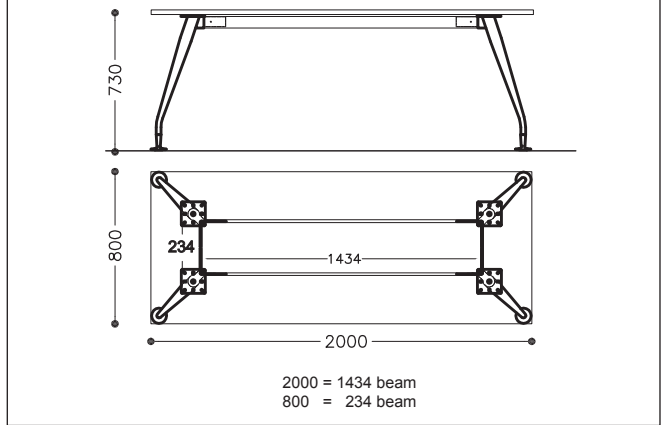
CAPRI Table Frame Sizing

Beam lengths for:

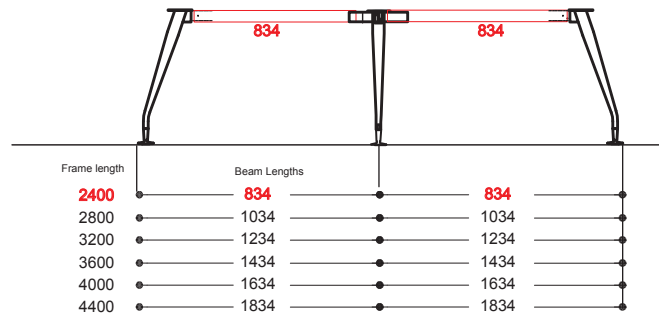
1) Square or Rectangular frames up to 2400mm long



Example 2000 X 800 Frame

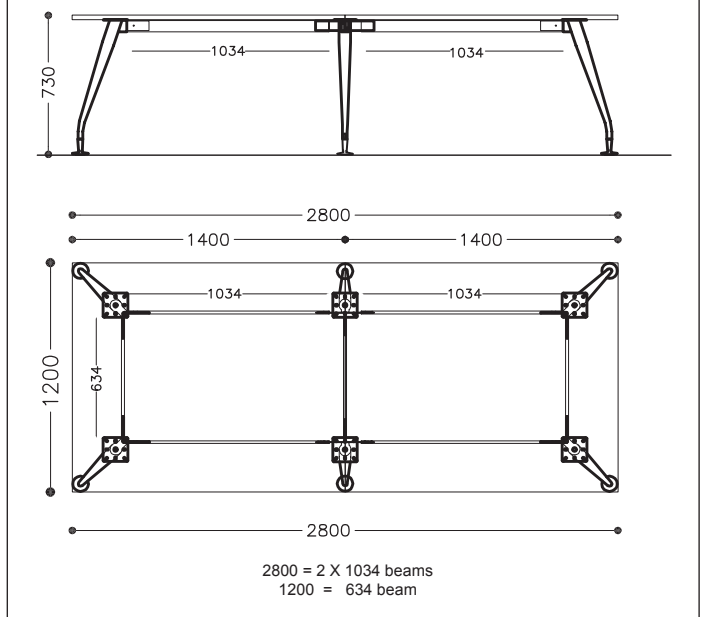


2) Rectangular frames 2400mm to 4400mm long

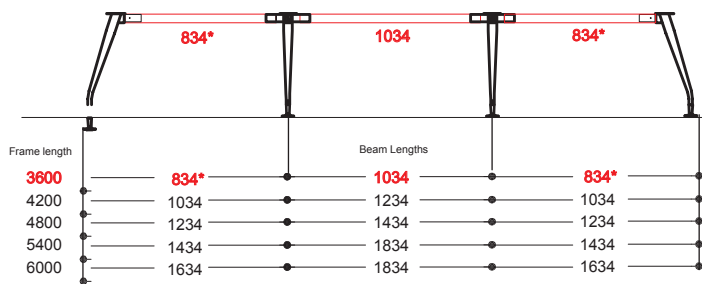


For frame 'width' beam sizing, use section 1) above

Example 2800 X 1200 Frame



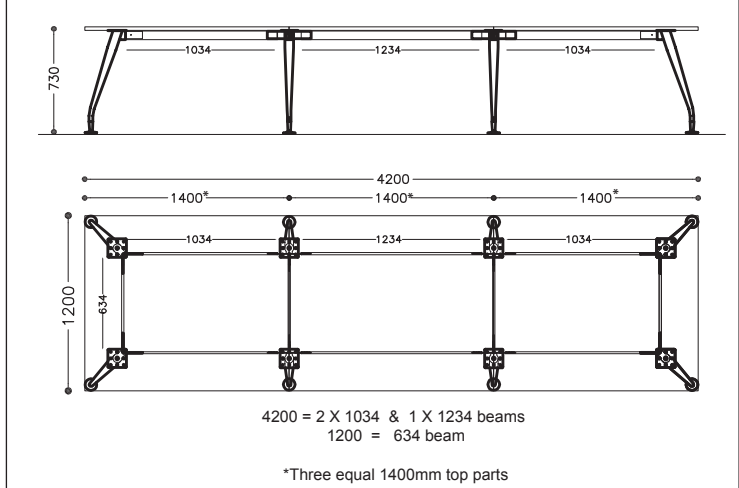
3) Rectangular frames 3600mm to 6000mm long



For frame 'width' beam sizing, use section 1) above

*Outer beams one size smaller than central beam to ensure multiple top parts are equal lengths

Example 4200 X 1200 Frame



4) Frames longer than 6000mm add additional pairs of intermediate legs and beams as above.

Components required per frame

	Frames with end legs only	Frames with one pair of intermediate legs	Frames with two pairs of intermediate legs
End legs (pairs)	2	2	2
Intermediate legs (pairs)	-	1	2
Beam - width	2	3	4
Beam - length	2	4	6 (4 + 2)