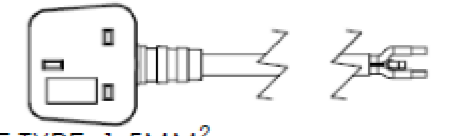
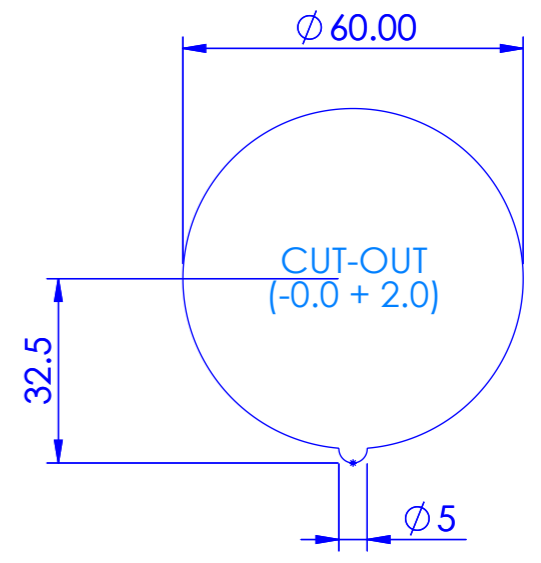
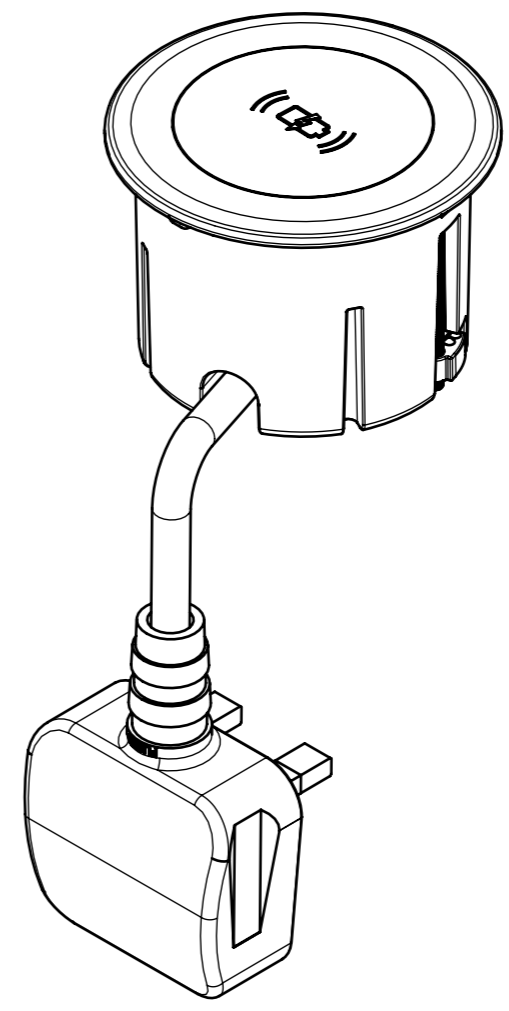
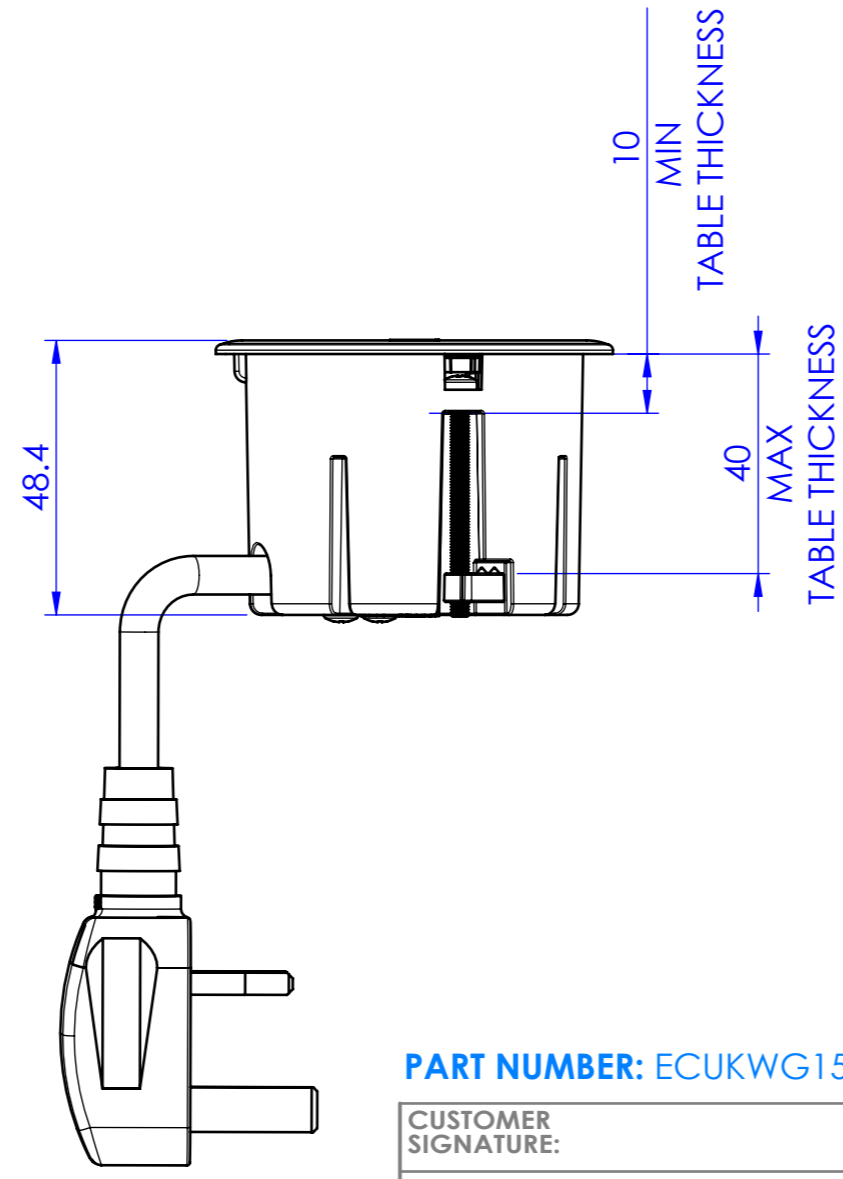
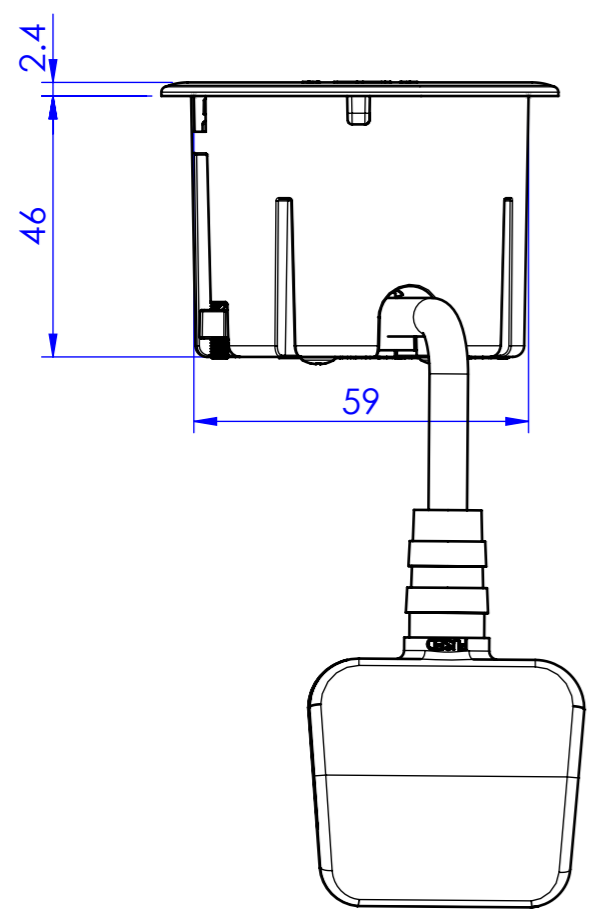
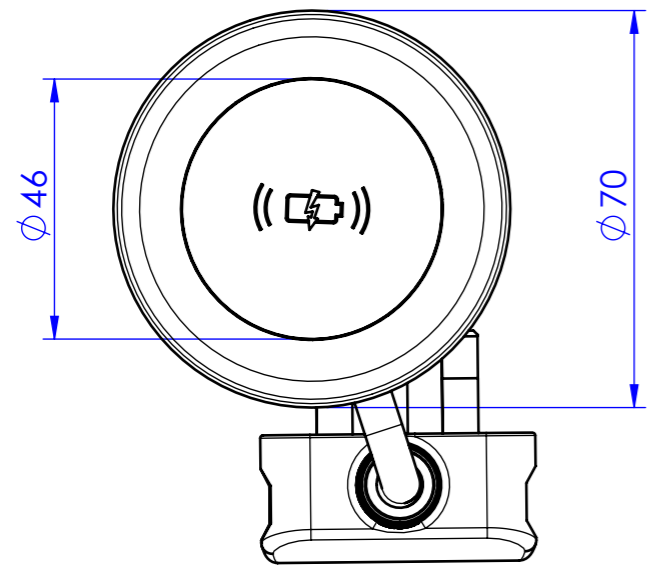


NOTE:



CABLE TYPE: 1.5MM<sup>2</sup>  
 PART NUMBER: 674615  
 DESCRIPTION: BRITISH PLUG LEAD  
 LENGTH: 1500MM



**PART NUMBER: ECUKWG15**

CUSTOMER SIGNATURE:		<b>TOLERANCES UNLESS OTHERWISE STATED:</b>  X ±0.5 X.X ±0.2 X.XX ±0.1 X.XXX ±0.05 ANG ±0.5°
MATERIAL:	P.C	
FINISH:	POLISHED	
COLOUR:	VARIOUS	
THIS DRAWING & ASSOCIATED CAD FILES ARE ISSUED IN THE STRICTEST CONFIDENCE AND ARE ONLY TO BE USED IN THE COMMERCIAL INTERESTS OF SOURCECETEC		DRAWN IN mm TO AS1100 DO NOT SCALE

COPYRIGHT © 2015		
TITLE: <b>ECHO WITH WIRELESS CHARGE AND 3 PIN PLUG</b>		
DRAWING: <b>LU29249</b>	REV: <b>1</b>	<b>A3</b>
SCALE 3:4		
SHEET 1 OF 2		

1	RELEASED	21/01/2018	JC	AP
REV	DESCRIPTION	DATE	DRWN	APPV
REVISIONS				