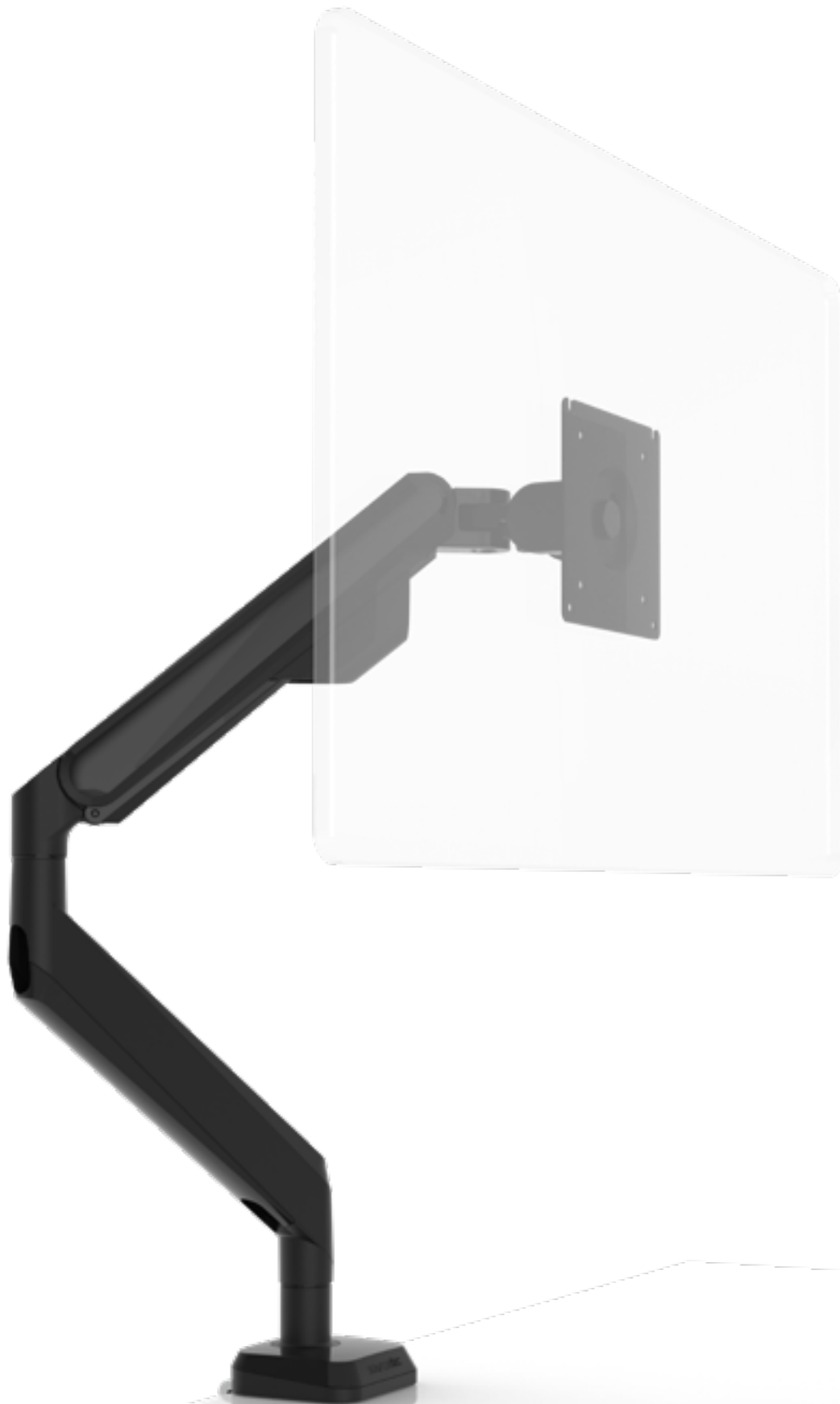


# MOVE

Technical sheet



# MOVE

---

## Introducing the elegant monitor arm for any office.

---

Bringing the stylish aesthetics to the modern office with its sleek contemporary streamlined design and key features.



# MOVE - Features

---

## Freedom to move. Effortlessly rotate, pivot and extend with absolute adjustment.

---

Easy to assemble VESA



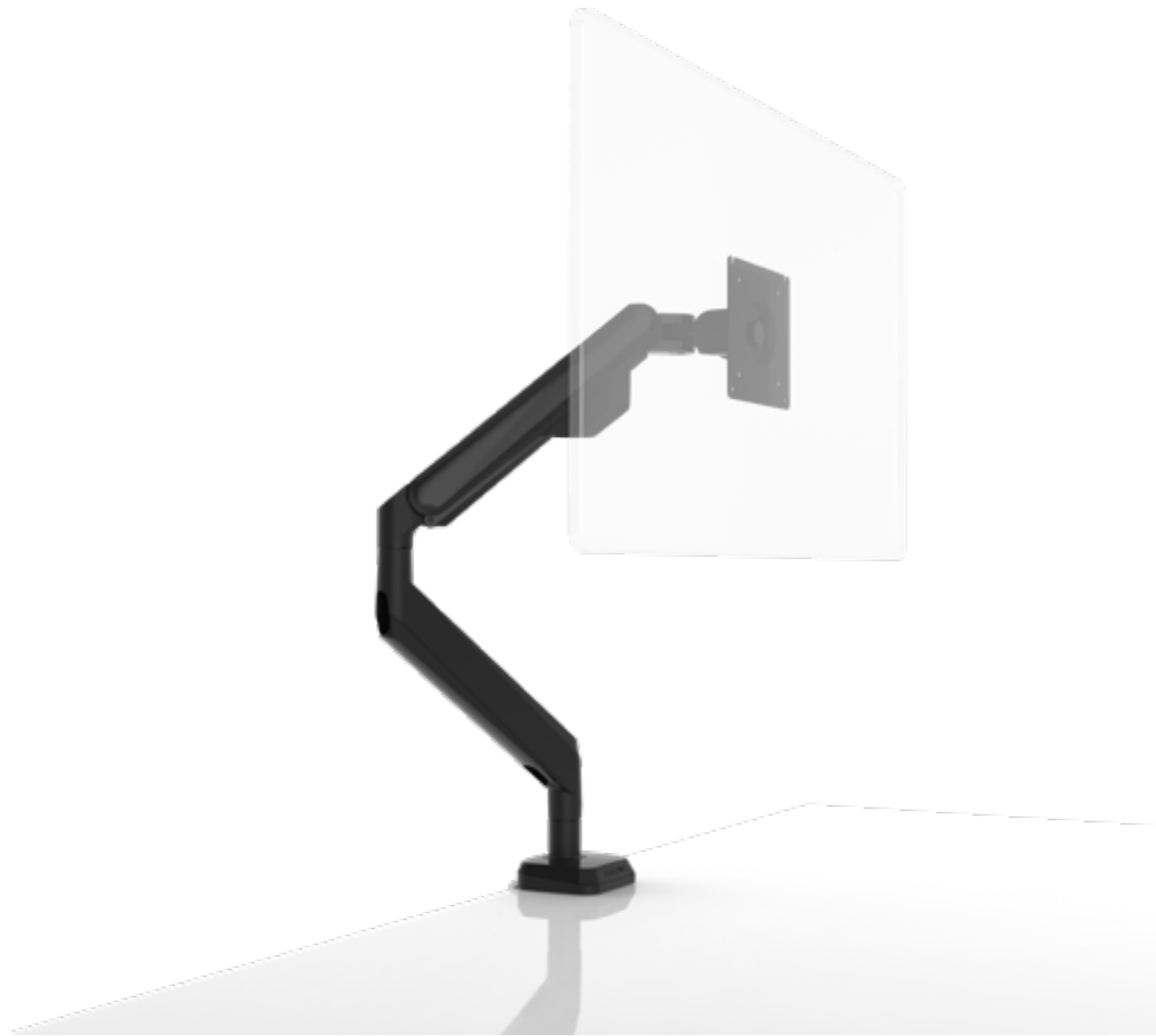
Low profile C-Clamp fixings as standard



Spring assisted fingertip adjustment



# MOVE SINGLE - Data



## MECHANICAL PARAMETERS

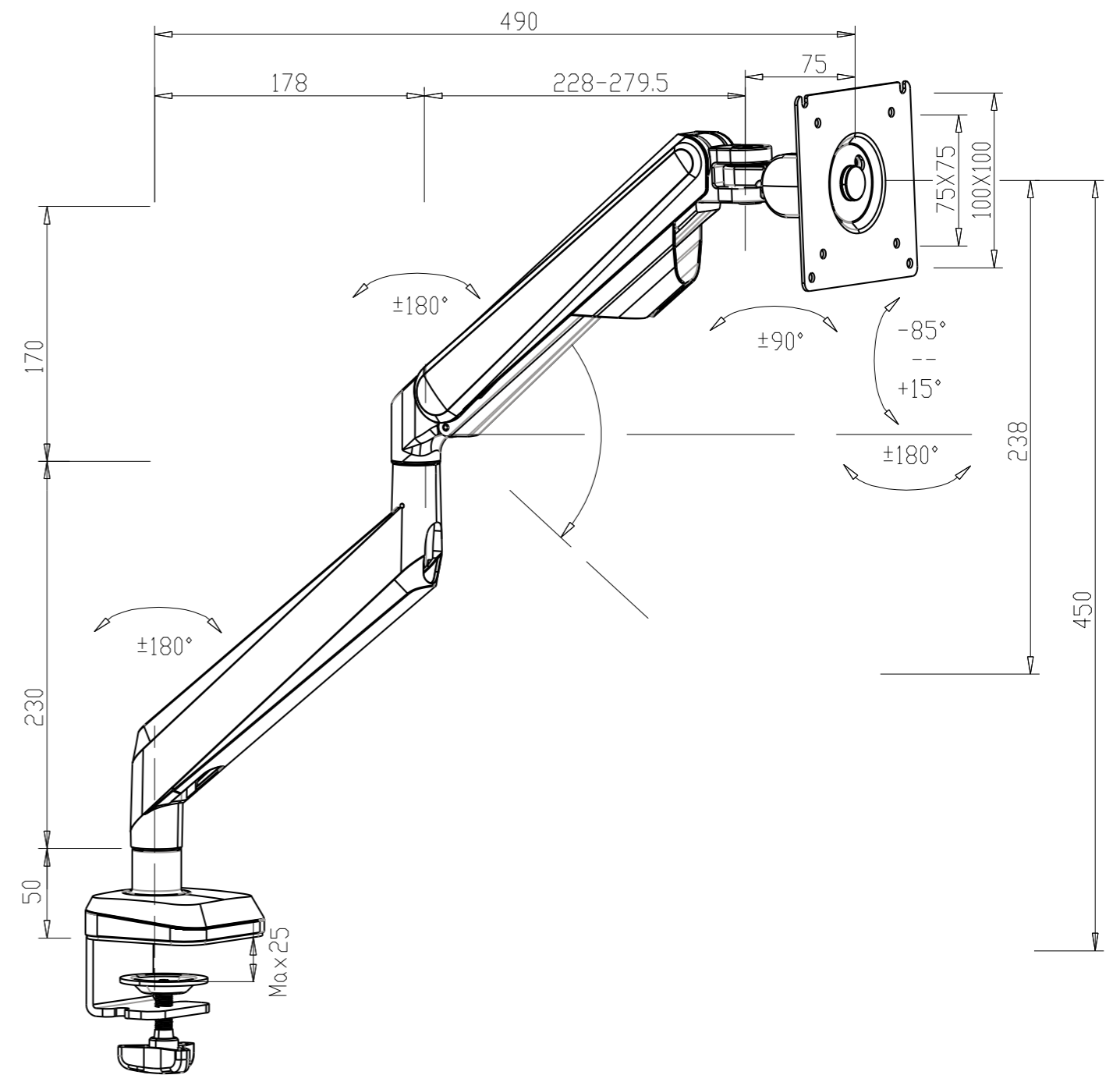
Supports up to 9kg  
Low profile C-Clamp



## FINISHES



# MOVE SINGLE - Dimensions

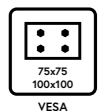


# MOVE DOUBLE - Data



## MECHANICAL PARAMETERS

Supports up to 2x 9kgs  
Low profile C-Clamp



VESA



WEIGHT



SCREEN SIZE

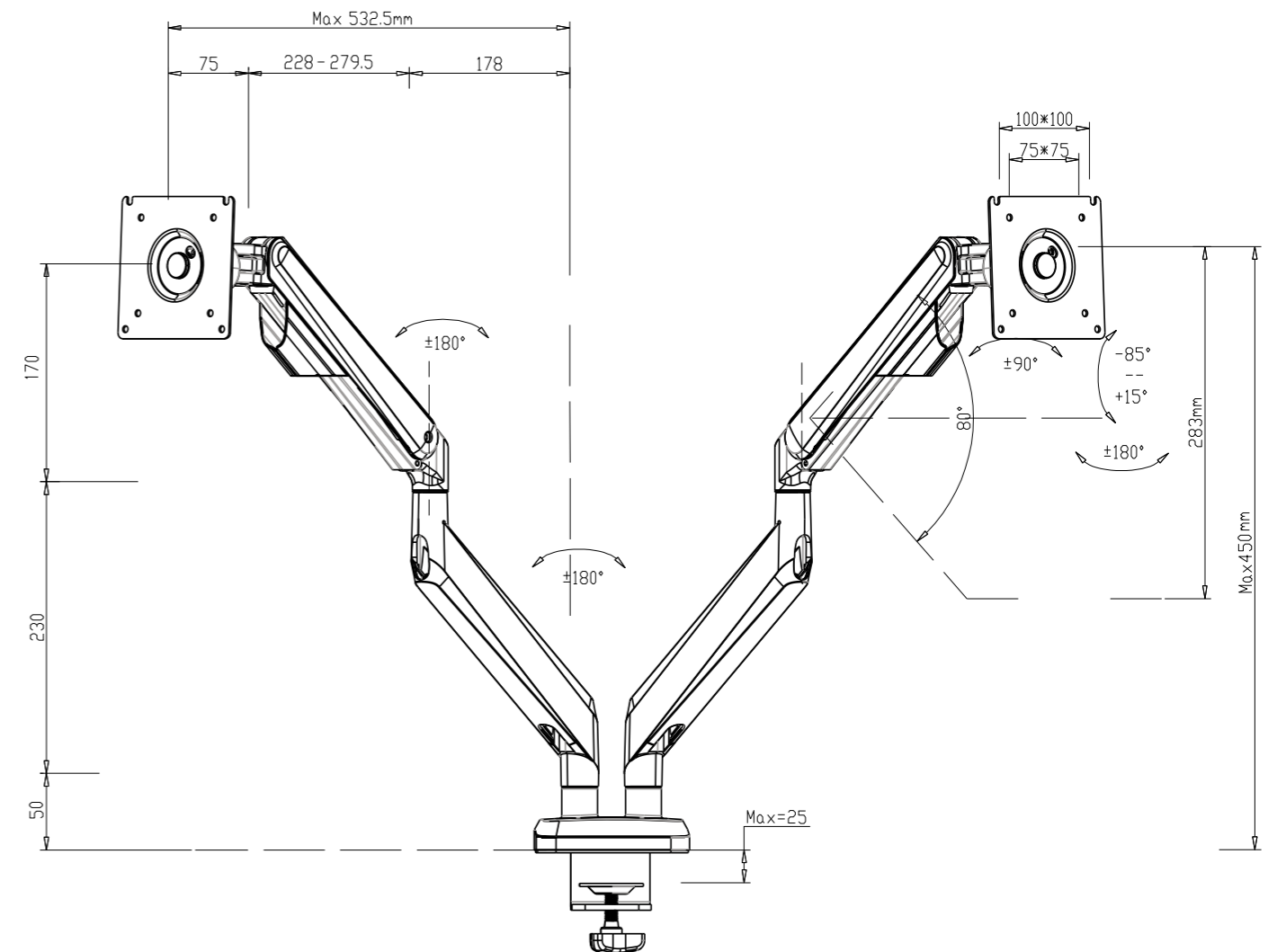


ADJUST

## FINISHES



# MOVE DOUBLE - Dimensions





# Warranty & General Care

---

## Warranty

Wave Office offer a 1-year warranty on this range.

This applies only if products have been used within and by standard office conditions. Wear and tear must be expected from normal use and are not covered by the warranty.

## General Care

### CARE & MAINTENANCE

– Apart from replacing or resetting fuses, these products are manufactured to be maintenance free. For periodic cleaning, disconnect the unit from the power source and use a soft damp cloth, immediately after dry the unit with a soft dry cloth. Do not use harsh chemical solvents or detergents.

### TESTING

– All Sourcetec units are tested before they leave the factory, any suspected damage or manufacturing defects need to be raised with Sourcetec immediately for further investigation.

## Environmental Practices

Workstories is dedicated to being environmentally conscious. We strive to ensure the continued availability of natural resources for current and future generations, and as part of our mission, we recognise the responsibility to protect human health and the environment, and to continually improve our operations.

To carry out this commitment, it is our policy to ensure all our factories:

Meet or exceed the requirements of all environmental laws and regulations applicable to our operations.

Limit our impact on the environment to the extent practicable and work to reduce recognised environmental risks to our employees and the communities in which we operate by employing safe technologies and operating procedures.

Continually assess our environmental programs and monitor our environmental performance.

Have operating policies and programs in place to implement our Environmental Quality Policy.

Workstories guarantees limited carbon footprint for our products. Workstories is a full member of FIRA and FISP. We hold FSC, ISO9001 and ISO14001 certifications.

