

# Linea technical specification



**A leading position among manufacturers of office furniture with many awards that prove quality and continuously increase demand for its products.**

The realities of today's market require constant quality improvement at all levels of modern organization. This applies in particular to customer service, marketing, quality of products and also to quality of processes within the company. Partnership relations among employees and with business partners form a base of economic growth and success of the company.

Constant investments in innovative machinery park, optimization of management systems and an expansion of production halls allow to minimize the lead times for the product of the highest quality.

**More than twenty years of experience in office furniture industry come with reference from a long list of companies and institutions to show their appreciation for an efficient and comprehensive service.**

Being located in the forest region with lake by its side, .wave takes the nature seriously and invests constantly in a modern and energy-efficient solutions to preserve the local life. Company puts emphasis on waste segregation and recycling. We has been awarded for the exceptional care and involvement in waste disposal. All materials used are environmentally friendly and enjoy a high 95 % rate of being recycled.



**General informations:**

**Warranty:**

.mdd products - **5 years.**

Electrical components and fabric - **2 years.**

**Certificate - MFC:**



**Boards density:**

12 mm - 690 - 750 kg/m<sup>3</sup>

18 mm - 650 - 690 kg/m<sup>3</sup>

28 mm - 610 - 630 kg/m<sup>3</sup>

36 mm - 610 - 630 kg/m<sup>3</sup>

**Assembly:**

product delivered in separate elements

**Packing:**

reception placed on a pallet, the whole

is covered in foam wrap and 5-layer

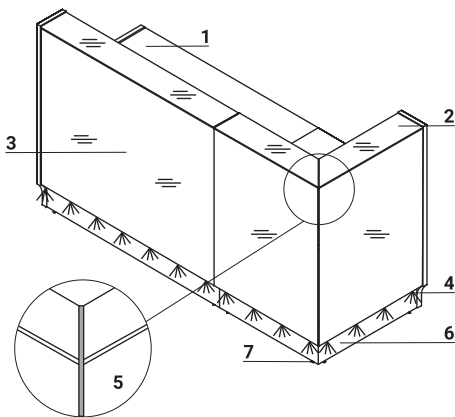
cardboard, package is fastened with

polypropylene tape;

cardboard, perforated plastic mesh wrap

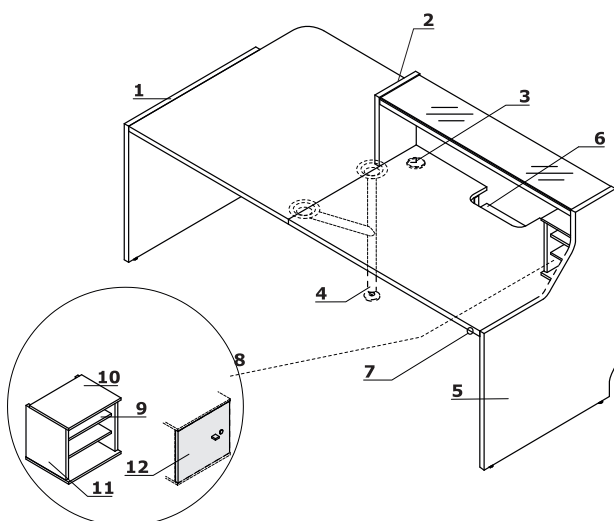
Linea	Date of preparation 20.08.2021	The data contained in this document is valid in the day of its preparation. Change of the product, as long as it does not affect the basic features of it, does not require consistent updates of the document.	page 2/7
			<b>general informations</b>

## Technical specification



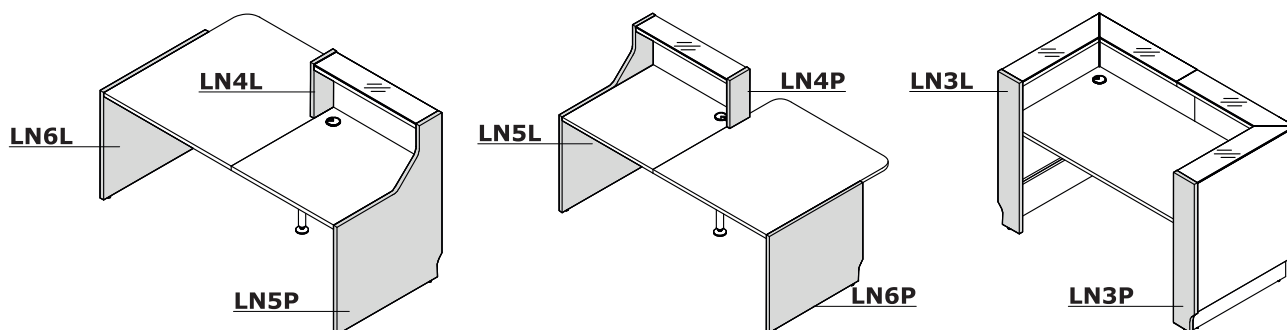
1. **Worktop** - MFC 28 mm, ABS edge
2. **Top** - tempered optiwhite glass, 8 mm - painted on bottom side
3. **Front** - glass LACOBEL 4 mm
4. **LED illumination** - at the full length of the reception desk, cold white color (verging on the blue shade);
5. **Corner slate** - stainless steel 4 mm
6. **Kick plate** - HPL - brushed aluminium
7. **Leveling** - 5 mm range

## Technical specification



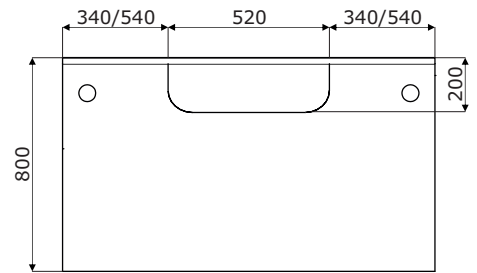
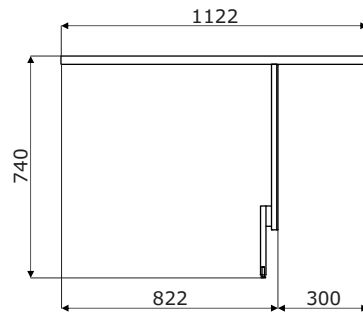
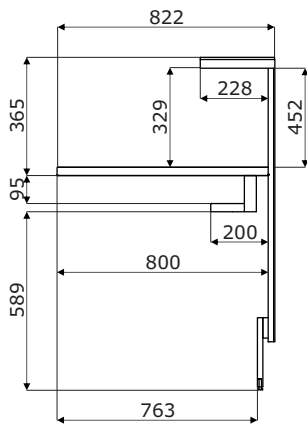
1. **Low side panel** - MFC 28 mm, ABS edge
2. **Side panel linking low and high fronts** - MFC 28 mm, ABS edge
3. **Cable grommets** - Ø80 mm
4. **Supporting leg NL41** - required for connecting the tops
5. **High side panel** - MFC 28 mm, ABS edge
6. **OPTION WITH EXTRA CHARGE** - working top with lowered monitor shelf - MFC 28 mm, ABS edge
7. **Light switch**
8. **LMS05** - reception desk storage; order separately
9. **Shelf** - MFC 12 mm, ABS edge
10. **Top** - MFC 12 mm, ABS edge
11. **Body** - MFC 18 mm, ABS edge
12. **Optional front with lock** - universal (left, right); - MFC 18 mm, ABS edge; - ordered as separate element

## Ending elements application



Linea	Date of preparation 20.08.2021	The data contained in this document is valid in the day of its preparation. Change of the product, as long as it does not affect the basic features of it, does not require consistent updates of the document.	page 3/7 technical specification
-------	-----------------------------------	---	-------------------------------------

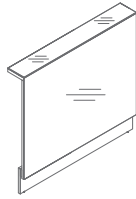
## Dimensions



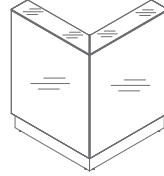
## Composition elements \*



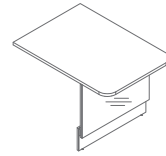
**LN08**  
800 / 250 / 1105  
40.75 kg



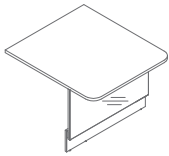
**LN12**  
1200 / 250 / 1105  
55.5 kg



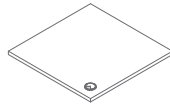
**LN91**  
822 / 822 / 1105  
90.8 kg



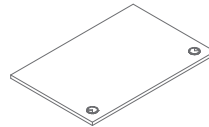
**LNU18**  
800 / 1122 / 740  
34 kg



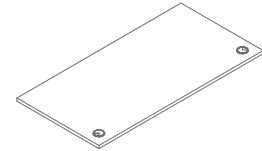
**LNU11**  
1000 / 1122 / 740  
41.5 kg



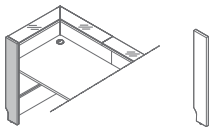
**LNB08**  
800 / 800 / 28  
13.2 kg



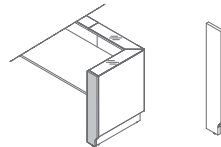
**LNB13**  
1200 / 800 / 28  
22.6 kg



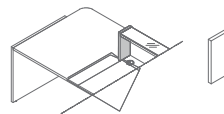
**LNB15**  
1600 / 800 / 28  
31.35 kg



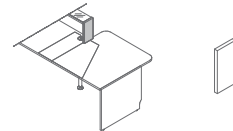
**LN3L**  
254 / 28 / 1105  
6.5 kg



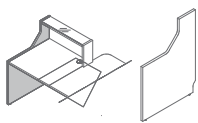
**LN3P**  
254 / 28 / 1105  
6 kg



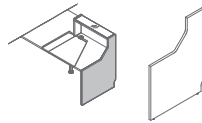
**LN4L**  
254 / 28 / 367  
2.3 kg



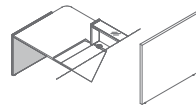
**LN4P**  
254 / 28 / 367  
2.5 kg



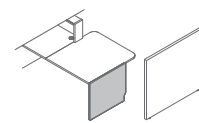
**LN5L**  
824 / 28 / 1105  
16.95 kg



**LN5P**  
824 / 28 / 1105  
15.5 kg



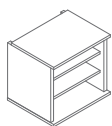
**LN6L**  
824 / 28 / 740  
13 kg



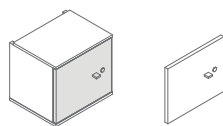
**LN6P**  
824 / 28 / 740  
13.1 kg

\* dimensions expressed in millimeters: width x depth x height

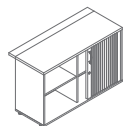
## Composition elements \*



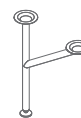
**LMS05**  
345 / 283 / 314  
6.8 kg



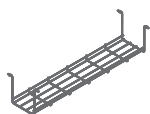
**LMS06**  
339 / 18 / 286  
2.25 kg



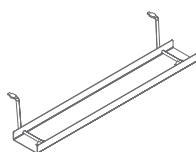
**L2Z06**  
1200 / 532 / 740  
52.3 kg



**NL41**  
585 / 142 / 712  
2 kg

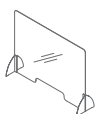


**S69L**  
580 / 162 / 123  
1 kg



**E64L**  
460 / 89 / 120  
0.5 kg

## Sneeze guard \*



**NPX1**  
1000 / 250 / 750  
8.8 kg

\* dimensions expressed in millimeters: width x depth x height

<b>Linea</b>	Date of preparation 20.08.2021	The data contained in this document is valid in the day of its preparation. Change of the product, as long as it does not affect the basic features of it, does not require consistent updates of the document.	page 6/7
			<b>products</b>

## Upper top



116 Glass black  
RAL9005



117 Glass white  
RAL9003



124 Glass silver  
RAL9007



## Body



08 Black



67 White pastel



26 Aluminum  
satinato



## Front



116 Glass black  
RAL9005



117 Glass white  
RAL9003



124 Glass silver  
RAL9007



134 Glass  
turquoise  
NCS S 4050B20G



135 Glass yellow  
RAL DESIGN  
0908080



136 Glass pink  
RAL DESIGN  
3404045

## Supporting leg - metal



M009 Aluminum  
semi-matt RAL9006



M015 White semi-  
matt RAL9010



M115 Black  
semi-matt RAL9005

## Copplementary elements - LMS05, LMS06, L2Z06



08 Black



67 White pastel



26 Aluminum  
satinato

## Copplementary elements - S69L, E64L



M009 Aluminum  
semi-matt RAL9006